

## CK 22 OMNIDIRECTIONAL CONDENSER CAPSULE

Integrated pop filter

Integrated ceramic electrode, highly stable, aging-resistant diaphragm

Linear frequency response over the entire transmission range between 20 ... 20 000 Hz

Omni-directional characteristic, independent of frequency

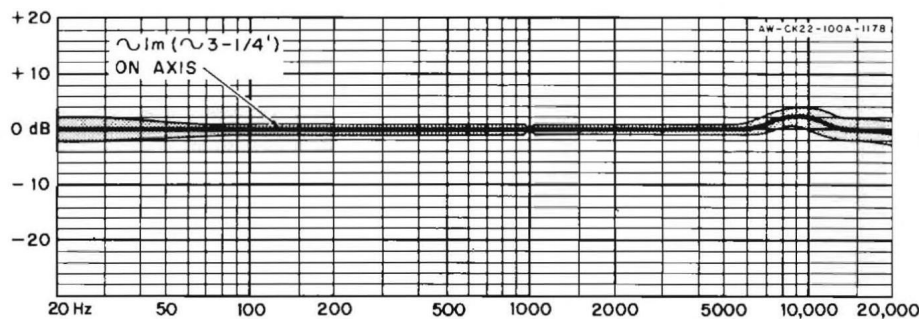
Functions up to 99% relative humidity



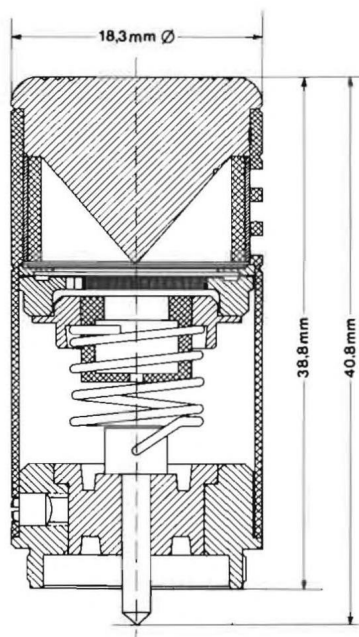
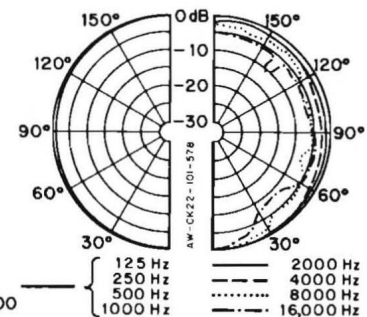
### REPLACES CK-2

Available in two versions:  
standard matte-nickel finish  
and satin-black-chrome finish.

Frequency response curve



Polar diagram



#### Technical Data:

Transducer type: pressure receiver  
 Frequency range: 20 ... 20.000 Hz  
 Polar response: omni-directional  
 Sensitivity at 1000 Hz: 0.8 mV/ $\mu$ b  $\pm$  8 mV/Pa  
 Unweighted noise level: 3.6  $\mu$ V r.m.s.  
 Weighted noise level: 2.3  $\mu$ V r.m.s. } measured with filter  
 Equivalent noise level: 23 dB } CCITT-C acc. to DIN 45405  
 Capacitance of transducer: 27 pF  
 Weight: 40 g net, 80 g gross  
 Operating temperature range: - 20°C ... + 60°C (0°F to 140°F)  
 Rel. humidity: at 20°C ( 68°F) up to 99 %  
 at 60°C (140°F) up to 95 %

#### Measuring conditions:

The transducer has been measured with an AKG standard preamplifier with the following data:  
 No load amplification: 0.47  
 Input capacitance: 12 pF  
 Polarisation voltage: 62 volts  
 Output impedance: 120 ohms

scans von archive.org